

128000
128075

SINGLE LINE - 03

Hand pump for grease

Pump may be used with any similar system where operating cycle requires grease delivery, pressure control and release.

Use with grease with penetration index 380 ASTM or higher.

Characteristics

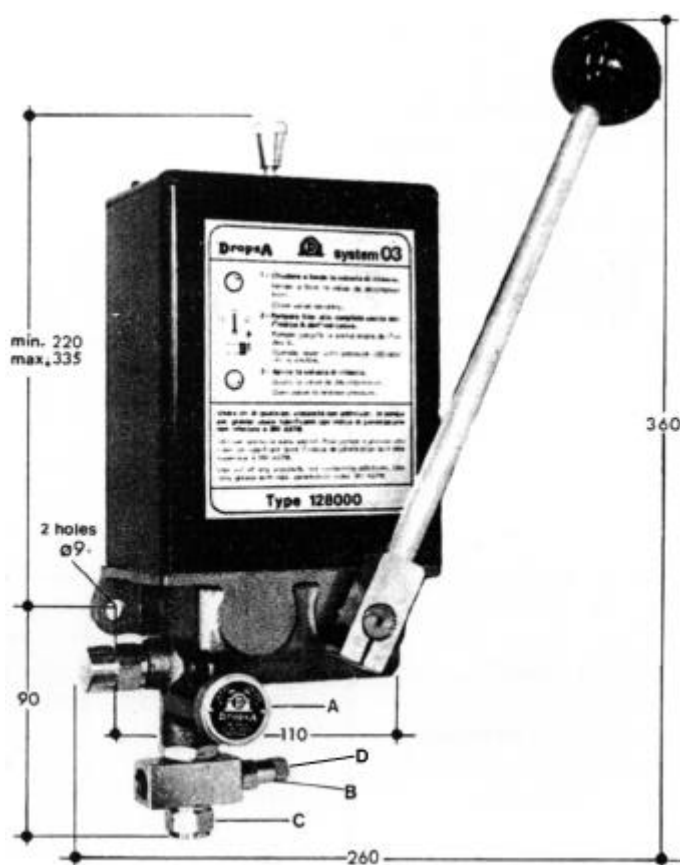
Maximum pressure : 125 bar (controlled by valve)
Reservoir capacity : 1 Kg
Delivery: 1 cc
Adjustable handle position
Grease outlet: 1/4" Gas thread cyl.
Weight: 3,2 Kg
Filter: 125 micron on C
Rod protruding from top lid acts as level gauge.

Use

Use clean grease containing no foreign matter to load reservoir. Be sure to avoid air bubbles.

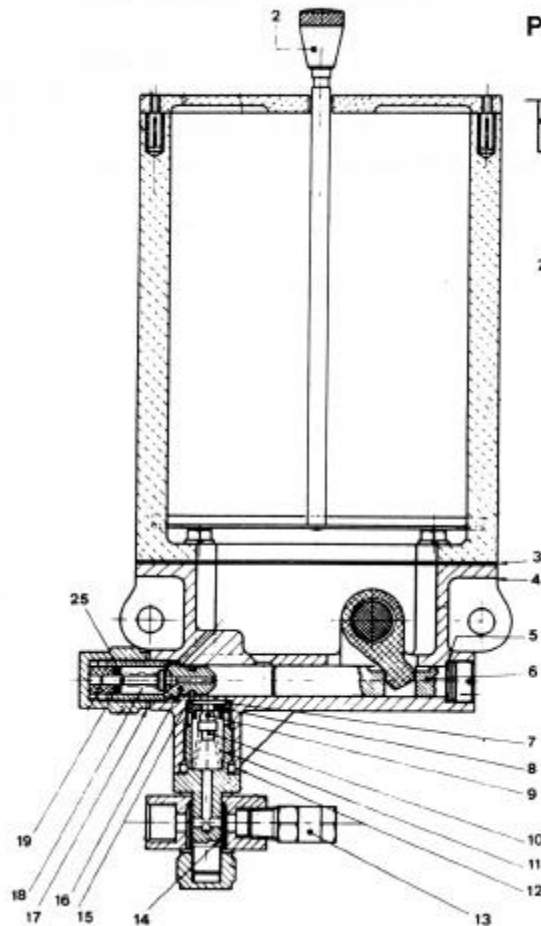
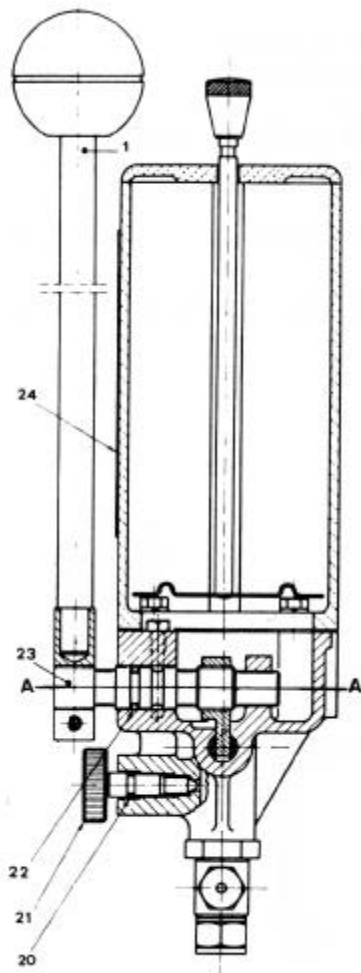
- Shut release valve A tight
- Keep pumping until marker D sticks fully out of indicator B (approx. 3 mm)
- Open release valve A

Remove cap nut C for periodical filter cleanout.

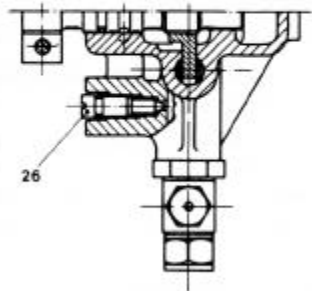


Code	Description
128000	Only for ACCUMO 03 systems
128075	Pump without release valve. Only for SERIAL 26 systems





SECTION A-A
Pump Code 128075 for
SERIAL (26) system



Pos.	Description	Code	Q.ty
1	Handle with grip	128034	1
2	Knob	128023	1
3	Petrolvis seal gasket	128004	1
4	Grease pump body	128001	1
5	Copper seal gasket	3190106	1
6	Plunger	128042	1
7	OR gasket	18814	1
8	Valve seat	128207	1
9	Sphere 3/16	20505	1
10	Sphere cup	265046	1
11	Tapper spring	3191132	1
12	GACO-OR gasket	19117	1
13	Press. Indic. Needle (100 Kg)	3290008	1
14	Strainer	128221	1
15	GACO-OR gasket	18806	1

Pos.	Description	Code	Q.ty
16	Valve body	128205	1
17	Copper sea gasket	128018	1
18	Spring	3191130	1
19	Non return valve	128209	1
20	GACO-OR gasket	18804	1
21	Release valve	128220	1
22	GACO-OR gasket	18812	1
23	Shaft	128041	1
24	Instruction plate (128000)	128057	1
24	Instruction plate (128075)	3310361	1
25	Steel washer	128222	1
25	Steel washer	128223	1
25	Steel washer	128224	1
26	Plunger	128013	1

DROPSA

ITALY
 Dropsa SpA
 t.(+39) 02-250791
 f.(+39) 02-25079767

U.S.A.
 Dropsa Corporation
 t.(+1) 586-566-1540
 f.(+1) 586-566-1541

BRAZIL
 Dropsa
 t.(+55) 011-563-10007
 f.(+55) 011-563-19408

AUSTRALIA
 Dropsa Australia Ltd.
 t.(+61) 02-9938-6644
 f.(+61) 02-9938-6611

SPAIN
 Polydrop, S.A.
 t.(+34) 93-260-22-50
 f.(+34) 93-260-22-51

U.K.
 Dropsa (UK) Ltd
 t.(+44) 01784-431177
 f.(+44) 01784-438598

GERMANY
 Dropsa GmbH
 t.(+49) 0211-394-011
 f.(+49) 0211-394-013

FRANCE
 Dropsa Ame
 t.(+33) 01-3993-0033
 f.(+33) 01-3986-2636